

# TH RANGE

## TECHNICAL DATA TH 5,5.15 P/ TH 5,5.15

Machine model	TH 5,5.15 P			TH 5,5.15		
	Telescopic handler					
Maximum lifting capacity	5.500 kg (center of gravity 600 mm)			5.500 kg (center of gravity 600 mm)		
Maximum lifting height	14.80 m			14.80 m		
Type	Deutz TCD 3,6 L4 Stage V	Deutz TCD 3,6 L4 Stage IV	Deutz TCD 3,6 L4 EDG Stage IIIA	Deutz TCD 3,6 L4 Stage V	Deutz TCD 3,6 L4 Stage IV	Deutz TCD 3,6 L4 EDG Stage IIIA
Rated power	74,4 kW (101,2 hp) @ 2,200 rpm			55,4 kW (75,3 hp) @ 2,200 rpm		
Maximum torque	410 Nm @ 1,600 rpm			405 Nm @ 1,300 rpm	390 Nm @ 1,300 rpm	390 Nm @ 1,300 rpm
Displacement	3,6 l			3,6 l		
Cylinders	4 in line			4 in line		
Engine configuration	Diesel direct injection turbocharged			Diesel direct injection turbocharged		
Cooling system	Water – intercooler			Water – intercooler		
Type	Hydrostatic			Hydrostatic		
Model	Bosch Rexroth			Bosch Rexroth		
Maximum pressure	500 bar			500 bar		
Displacements	Electronically controlled variable displacement pump Variable displacement motor			Electronically controlled variable displacement pump Variable displacement motor		
Gear box	Dropbox, 2 speeds forward-reverse			Dropbox, 2 speeds forward-reverse		
Type	Axles with planetary gearboxes			Axles with planetary gearboxes		
Rear axle	Oscillating and steering with hydraulic locking			Oscillating and steering with hydraulic locking		
Front axle	Oscillating and steering with levelling +/- 8°			Oscillating and steering with levelling +/- 8°		
Service brake	Hydraulically operated wet multi-disk brakes on each axle			Hydraulically operated wet multi-disk brakes on each axle		
Parking brake	Spring applied hydraulic release Multi-disk brake (S.A.H.R.)			Spring applied hydraulic release Multi-disk brake (S.A.H.R.)		
Tyres dimensions	445/65 R22,5			445/65 R22,5		
Max. travel speed	35 km/h			25km/h		
Drawbar pull	72 kN			72 kN		
Gradeability	54%			54%		
Turning radius (end of forks)	5,610 mm			5,610 mm		
Total unladen	13,500 kg			13,500 kg		
Front axle unladen (boom retracted and lowered)	5,600 kg			5,600 kg		
Rear axle unladen (boom retracted and lowered)	7,900 kg			7,900 kg		
Fuel tank	145 l			145 l		
AdBlue	10 l*			10 l*		
Hydraulic oil tank	90 l			90 l		
Engine oil tank	9 l			9 l		
Cooling liquid	20 l			20 l		
Max. operating system pressure	350 bar			350 bar		
Circuit type	Load sensing			Load sensing		
Service pump	Bondioli & Pavesi - Variable displacement			Bondioli & Pavesi - Variable displacement		
Controls for boom movements	Danfoss – SIL 2 Electro-proportional valve			Danfoss – Electro-proportional valve		
Controls for stabilizers	Bosch Rexroth – Electro-hydraulic actuators			Bosch Rexroth – Electro-hydraulic actuators		
Movements control	1 joystick Danfoss with FNR switch and dead man safety device - Management with CAN bus technology			1 joystick Danfoss with FNR switch and dead man safety device - Management with CAN bus technology		

EN 1459-1: concerning standards for variable-reach trucks

EN 13000: concerning standards for mobile cranes

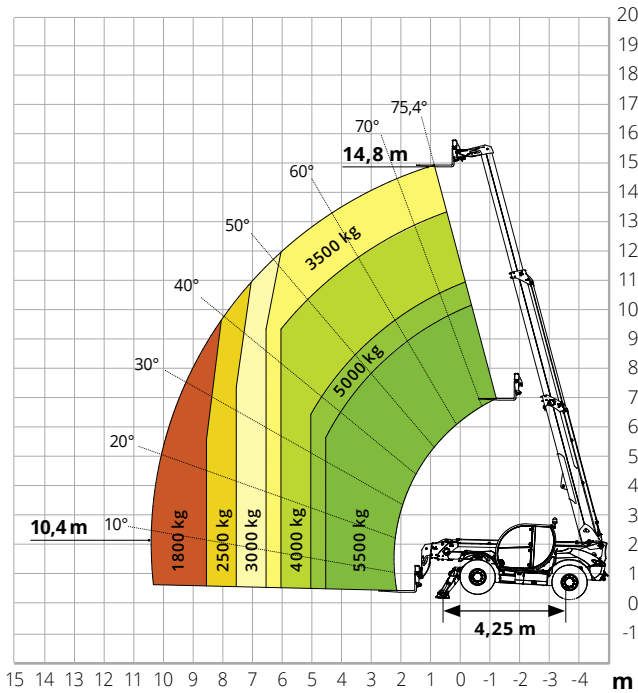
**Standard met** Only for model TH 5,5.15 P: EN 280: concerning standards for mobile elevating work platforms

FOPS Level 2 / ROPS

UE 2016/1628: concerning engine emissions standards

\*necessary only for models with Stage IV and Stage V engine

## Load chart on stabilizers



## Load chart on tyres

